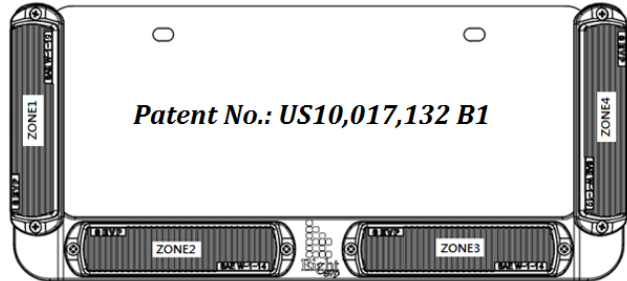


## EOS License Plate Frame 4 Module Warning Light - Instruction Manual ELPFU4 U-TAG Single Color

Technical Specifications	
<b>Dimensions</b>	347mm x 157mm x 32mm
<b>Input Voltage</b>	10-16 VDC
<b>Operating Temperature</b>	- 30° to + 55°C
<b>Current Consumption</b>	4.5A(MAX) @ 12.5V
<b>LED Power</b>	24 x 3W per LED

*SAE J595 Class 1 & CA Title 13 Approved  
Horizontal & Vertical Optics*



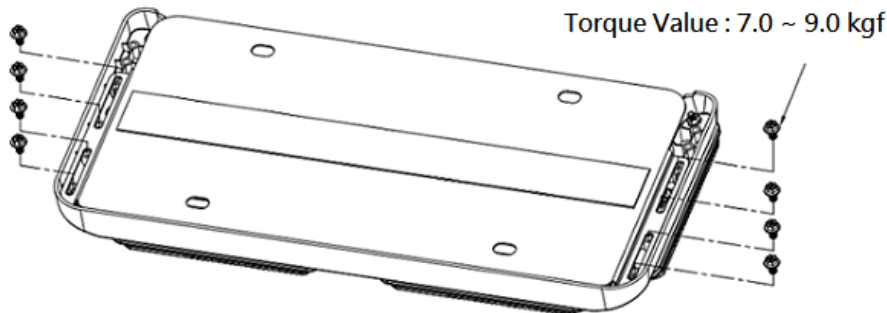
**Initial Setup to Power Supply:**

1. Ensure the Power Supply is 12VDC
2. Connect BLACK wire to GROUND
3. Connect RED or PINK wire to user-supplied switch. Connect the other side of the switch, through an 8A fuse, to the 12VDC +/- power supply.

### Wiring Configuration

Color	Function	Description
Black	<b>Negative</b>	Negative [-] Power Input (Ground)
Red	<b>Warning mode</b>	Connect to Positive [+] for warning flash pattern
Pink	<b>Cruise mode</b>	Connect to Positive [+] for cruise flash pattern
*Red wire (warning mode) & Pink wire (cruise mode) flash patterns can be memorized individually when each wire is operated independently. *The tag frame can ONLY memorize the warning patterns available from the red wire when both red and pink wires are connected to power		
Blue	<b>Pattern Change</b>	Briefly tap the blue wire to Positive [+] for: 1. < 1 second to advance to next flash pattern 2. 1~3 seconds to return to previous flash pattern 3. > 3 seconds to reset to pattern 1
Green	<b>Dim</b>	Connect either red or pink with green wire to Positive [+] to Dim mode, light to 50% intensity
Yellow	<b>Synchronization</b>	Synchronizing multiple lamps for simultaneous flash 1. Set all lamps to the same flash pattern and appropriate phase 2. Disconnect the power 3. Connect together the yellow wires from all lamps 4. Reconnect the power

### Guide to Torque Value





# Eight EVP LLC

3730 Dickerson Pike Nashville TN 37207 USA

Telephone: 615.868.1588

Website: [www.8evp.com](http://www.8evp.com)

## ⚠ WARNING

This product contains high-powered LEDs. Avoid staring into light at close range or for excessive periods of time.

### Warning Mode (Red Wire)

#### Pattern List

No.	Flash Pattern	Phase	Freq (/min)	Notes	No.	Flash Pattern	Phase	Freq (/min)	Notes
P1	[Z1,Z2] ⇔ [Z3,Z4] Quad Flash	1	75	Alternating	P21	[Z2] Steady on	--	--	
P2	[Z1,Z2] ⇔ [Z3,Z4] Quad Flash	2	75	Alternating		[Z1]⇔[Z3,Z4] Quad Flash	1	75	Alternating
P3	[Z1,Z2] ⇔ [Z3,Z4] Triple Flash	1	75	Alternating	P22	[Z2] Steady on	--	--	
P4	[Z1,Z2] ⇔ [Z3,Z4] Triple Flash	2	75	Alternating		[Z1]⇔[Z3,Z4] Quad Flash	2	75	Alternating
P5	[Z1,Z2] ⇔ [Z3,Z4] Double Flash	1	75	Alternating	P23	[Z3] Steady on	--	--	
P6	[Z1,Z2] ⇔ [Z3,Z4] Double Flash	2	75	Alternating		[Z1,Z2]⇔[Z4] Quad Flash	1	75	Alternating
P7	[Z1,Z2] ⇔ [Z3,Z4] Single Flash	1	75	Alternating	P24	[Z3] Steady on	--	--	
P8	[Z1,Z2] ⇔ [Z3,Z4] Single Flash	2	75	Alternating		[Z1,Z2]⇔[Z4] Quad Flash	2	75	Alternating
P9	[Z1,Z2] ⇔ [Z3,Z4] Quad Flash	1	125	Alternating	P25	All Quad Flash	--	75	Simultaneous
P10	[Z1,Z2] ⇔ [Z3,Z4] Quad Flash	2	125	Alternating	P26	All Quad Flash	--	125	Simultaneous
P11	[Z1,Z2] ⇔ [Z3,Z4] Quad Flash	1	180	Alternating	P27	All Quad Flash	--	180	Simultaneous
P12	[Z1,Z2] ⇔ [Z3,Z4] Quad Flash	2	180	Alternating	P28	All Single Flash	--	75	Simultaneous
P13	[Z1,Z2] ⇔ [Z3,Z4] Quad Flash & [Z1,Z4] Cruise 5%	1	75	Alternating	P29	Breathing Slow	--	--	Sync
					P30	Breathing Fast	--	--	Sync
P14	[Z1,Z2] ⇔ [Z3,Z4] Quad Flash & [Z1,Z4] Cruise 5%	2	75	Alternating	P31	[Z1] → [Z2] → [Z3] → [Z4] Quad Flash	--	75	Sync
					P32	[Z1,Z2] ⇔ [Z3,Z4] Quad Flash x1 → [Z1,Z4] ⇔ [Z2,Z3] Quad Flash x1 → [Z1~Z4] Single Flash x 2	--	75	Alternating→ Alternating→ Simultaneous
P15	[Z1,Z4] ⇔ [Z2,Z3] Quad Flash	1	75	Alternating		P33	[Z1,Z2] ⇔ [Z3,Z4] Quad Flash x1 → All Single Flash x1 → [Z1,Z4] ⇔ [Z2,Z3] Quad Flash x1 → All Single Flash x1	--	--
P16	[Z1,Z4] ⇔ [Z2,Z3] Quad Flash	2	75	Alternating					
P17	[Z1,Z4] ⇔ [Z2,Z3] Single Flash	1	75	Alternating					
P18	[Z1,Z4] ⇔ [Z2,Z3] Single Flash	2	75	Alternating					
P19	[Z1,Z3] ⇔ [Z2,Z4] Quad Flash	1	75	Alternating	P34	Steady on	--	--	
P20	[Z1,Z3] ⇔ [Z2,Z4] Quad Flash	2	75	Alternating					

### Cruise Mode (Pink Wire)

#### Pattern List

No.	Flash Pattern	Duty	Freq (/min)	Notes
P1	[Z1,Z4] Steady On	60%		
P2	[Z1,Z4] Steady On	40%		
P3	[Z1,Z4] Steady On	5%		
P4	[Z2,Z3] Steady On	60%		
P5	[Z2,Z3] Steady On	40%		
P6	[Z2,Z3] Steady On	5%		
P7	All Steady On	60%		
P8	All Steady On	40%		
P9	All Steady On	5%		
P10	[Z1,Z2]⇔[Z3,Z4] Quad Flash	90%	75	Alternating
P11	[Z1,Z2]⇔[Z3,Z4] Quad Flash	90%	75	Alternating

★ To review the Limited Warranty Statement & Return Policy for this Eight EVP product please visit our website at [www.8evp.com](http://www.8evp.com) and select the "Warranty & Returns" link on the contact page. If you have questions regarding this product please contact Technical Services, Monday - Friday, 7.30 am to 4 pm central at 615.868.1588. Questions or comments that do not require immediate attention may be emailed to [sales@8evp.com](mailto:sales@8evp.com)

★ Warning devices are strictly regulated and governed by Federal, State and Municipal ordinances. These devices shall be used ONLY on approved vehicles. It is the sole responsibility of the user of these devices to ensure compliance.