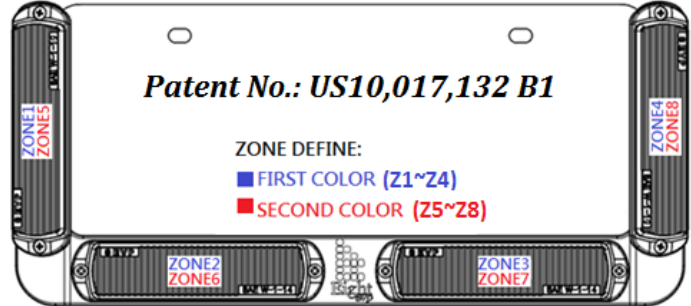


EOS License Plate Frame 4 Module Warning Light - Instruction Manual

ELPFU4D U-TAG Dual Color

Technical Specifications	
Dimensions	347mm x 157mm x 32mm
Input Voltage	10-16 VDC
Operating Temperature	- 30° to + 55°C
Current Consumption	3.8A(MAX) @ 12.5V
LED Power	48 x 3W per LED

*SAE J595 Class 1 & CA Title 13 Approved
Horizontal & Vertical Optics*

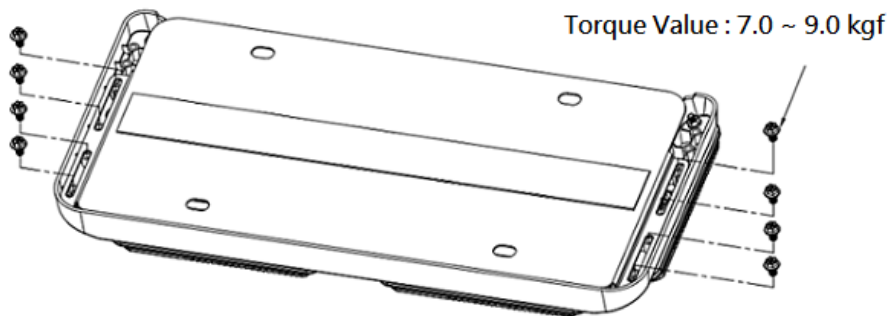

Initial Setup to Power Supply:

1. Ensure the Power Supply is 12VDC
2. Connect BLACK wire to GROUND
3. Connect RED or PINK wire to user-supplied switch. Connect the other side of the switch, through an 8A fuse, to the 12VDC +/- power supply.

Wiring Configuration

Color	Function	Description
Black	Negative	Negative [-] Power Input (Ground)
Red	Warning mode	Connect to Positive [+] for warning flash pattern
Pink	Cruise mode	Connect to Positive [+] for cruise flash pattern
*Red wire (warning mode) & Pink wire (cruise mode) flash patterns can be memorized individually when each wire is operated independently. *The tag frame can ONLY memorize the warning patterns available from the red wire when both red and pink wires are connected to power		
Blue	Pattern Change	Briefly tap the blue wire to Positive [+] for: 1. < 1 second to advance to next flash pattern 2. 1~3 seconds to return to previous flash pattern 3. > 3 seconds to reset to pattern 1
Green	Dim	Connect either red or pink with green wire to Positive [+] to Dim mode, light to 50% intensity
Yellow	Synchronization	Synchronizing multiple lamps for simultaneous flash 1. Set all lamps to the same flash pattern and appropriate phase 2. Disconnect the power 3. Connect together the yellow wires from all lamps 4. Reconnect the power

Guide to Torque Value



Warning Mode (Red Wire)
Pattern List

No.	Flash Pattern	Phase	Freq (/min)	Notes	No.	Flash Pattern	Phase	Freq (/min)	Notes
P1	[Z1,Z2,Z7,Z8] ⇔ [Z3,Z4,Z5,Z6] Quad Flash	1	75	Alternating	P29	[Z1,Z2] → [Z3,Z4] → [Z5,Z6] → [Z7,Z8] Quad Flash		75	Sync
P2	[Z1,Z2,Z7,Z8] ⇔ [Z3,Z4,Z5,Z6] Quad Flash	2	75	Alternating	P30	[Z2,Z3] → [Z1,Z4] → [Z6,Z7] → [Z5,Z8] Quad Flash		75	Sync
P3	[Z1,Z2,Z7,Z8] ⇔ [Z3,Z4,Z5,Z6] Triple Flash	1	75	Alternating	P31	[Z1,Z2,Z7,Z8] ⇔ [Z3,Z4,Z5,Z6]	1	75	Alternating
P4	[Z1,Z2,Z7,Z8] ⇔ [Z3,Z4,Z5,Z6] Triple Flash	2	75	Alternating	P32	[Z1,Z2,Z7,Z8] ⇔ [Z3,Z4,Z5,Z6]	2	75	Alternating
P5	[Z1,Z2,Z7,Z8] ⇔ [Z3,Z4,Z5,Z6] Double Flash	1	75	Alternating	P33	[Z1,Z2] Quad Flash x1 → [Z7,Z8] Quad Flash x1 → [Z5,Z6] Quad Flash x1 → [Z3,Z4] Quad Flash x1 → [Z1,Z2,Z3,Z4] Single Flash x1 → [Z5,Z6,Z7,Z8] Single Flash x1	75		Sync
P6	[Z1,Z2,Z7,Z8] ⇔ [Z3,Z4,Z5,Z6] Double Flash	2	75	Alternating					
P7	[Z1,Z2,Z7,Z8] ⇔ [Z3,Z4,Z5,Z6] Single Flash	1	75	Alternating					
P8	[Z1,Z2,Z7,Z8] ⇔ [Z3,Z4,Z5,Z6] Single Flash	2	75	Alternating	P34	[Z1,Z2] → [Z3,Z4] → [Z5,Z6] → [Z7,Z8] Double Flash		75	Sync
P9	[Z1,Z2,Z7,Z8] ⇔ [Z3,Z4,Z5,Z6] Quad Flash	1	125	Alternating	P35	[Z1,Z2] → [Z3,Z4] → [Z5,Z6] → [Z7,Z8] Single Flash		75	Sync
P10	[Z1,Z2,Z7,Z8] ⇔ [Z3,Z4,Z5,Z6] Quad Flash	2	125	Alternating	P36	[Z2,Z3] → [Z1,Z4] → [Z6,Z7] → [Z5,Z8] Double Flash		75	Sync
P11	[Z1,Z2,Z7,Z8] ⇔ [Z3,Z4,Z5,Z6] Quad Flash	1	180	Alternating	P37	[Z2,Z3] → [Z1,Z4] → [Z6,Z7] → [Z5,Z8] Single Flash		75	Sync
P12	[Z1,Z2,Z7,Z8] ⇔ [Z3,Z4,Z5,Z6] Quad Flash	2	180	Alternating	P38	[Z1,Z2,Z3,Z4] ⇔ [Z5,Z6,Z7,Z8] Breathing Slow		--	Sync
P13	[Z1,Z4,Z6,Z7] ⇔ [Z5,Z8,Z2,Z3] Quad Flash	1	75	Alternating	P39	[Z1,Z2,Z3,Z4] ⇔ [Z5,Z6,Z7,Z8] Breathing Fast		--	Sync
P14	[Z1,Z4,Z6,Z7] ⇔ [Z5,Z8,Z2,Z3] Quad Flash	2	75	Alternating	P40	[Z1,Z2,Z7,Z8] → [Z3,Z4,Z5,Z6] → [Z1,Z2,Z3,Z4] → [Z5,Z6,Z7,Z8] Quad Flash	75		Sync
P15	[Z1,Z4,Z6,Z7] ⇔ [Z5,Z8,Z2,Z3] Double Flash	1	75	Alternating					
P16	[Z1,Z4,Z6,Z7] ⇔ [Z5,Z8,Z2,Z3] Double Flash	2	75	Alternating	P41	[Z1,Z2,Z7,Z8] Quad Flash x1 → [Z3,Z4,Z5,Z6] Quad Flash x1 → [Z1,Z4,Z6,Z7] Quad Flash x1 → [Z2,Z3,Z5,Z8] Quad Flash x1 → [Z1,Z2,Z3,Z4] Single Flash x1 → [Z5,Z6,Z7,Z8] Single Flash x1	75		Sync
P17	[Z1,Z4,Z6,Z7] ⇔ [Z5,Z8,Z2,Z3] Single Flash	1	75	Alternating					
P18	[Z1,Z4,Z6,Z7] ⇔ [Z5,Z8,Z2,Z3] Single Flash	2	75	Alternating					
P19	[Z1,Z2,Z3,Z4] ⇔ [Z5,Z6,Z7,Z8] Quad Flash	1	75	Alternating					
P20	[Z1,Z2,Z3,Z4] ⇔ [Z5,Z6,Z7,Z8] Quad Flash	2	75	Alternating	P42	[Z1,Z2,Z3,Z4] Quad Flash x1 → [Z5,Z6,Z7,Z8] Quad Flash x1 → [Z1,Z2,Z3,Z4] Single Flash x1 → [Z5,Z6,Z7,Z8] Single Flash x1 → [Z1,Z2] Quad Flash x1 → [Z7,Z8] Quad Flash x1 → [Z3,Z4] Quad Flash x1 → [Z5,Z6] Quad Flash x1 → [Z1,Z2,Z3,Z4] Single Flash x1 → [Z5,Z6,Z7,Z8] Single Flash x1	75		Sync
P21	[Z2] Steady On ; [Z1] ⇔ [Z3,Z4] Quad Flash	-- / 75	-- / 75	Steady On / Alternating					
P22	[Z2] Steady On ; [Z1] ⇔ [Z7,Z8] Quad Flash	-- / 75	-- / 75	Steady On / Alternating					
P23	[Z3] Steady On ; [Z1,Z2] ⇔ [Z4] Quad Flash	-- / 75	-- / 75	Steady On / Alternating					
P24	[Z3] Steady On ; [Z5,Z6] ⇔ [Z4] Quad Flash	-- / 75	-- / 75	Steady On / Alternating					
P25	[Z6] Steady On ; [Z5] ⇔ [Z7,Z8] Quad Flash	-- / 75	-- / 75	Steady On / Alternating	P43	[Z1,Z3] → [Z6,Z8] → [Z5,Z7] → [Z2,Z4] Quad Flash	75		Sync
P26	[Z6] Steady On ; [Z5] ⇔ [Z3,Z4] Quad Flash	-- / 75	-- / 75	Steady On / Alternating					
P27	[Z7] Steady On ; [Z5,Z6] ⇔ [Z8] Quad Flash	-- / 75	-- / 75	Steady On / Alternating	P44	[Z1,Z3] → [Z6,Z8] → [Z5,Z7] → [Z2,Z4] Single Flash		75	Sync
P28	[Z7] Steady On ; [Z1,Z2] ⇔ [Z8] Quad Flash			Steady On / Alternating	P45	[Z1] → [Z2] → [Z3] → [Z4] → [Z5] → [Z6] → [Z7] → [Z8] Single Flash		75	Sync
					P46	[Z1, Z2] ⇔ [Z3, Z4] Quad Flash		75	Alternating
					P47	[Z1, Z2] ⇔ [Z3, Z4] Double Flash		75	Alternating
					P48	[Z1, Z2] ⇔ [Z3, Z4] Single Flash		75	Alternating

Cruise Mode (Pink Wire)

Pattern List					
No.	Flash Pattern	Duty	Phase	Freq (/min)	Notes
P1	[Z1,Z8] Steady On	30%			
P2	[Z1,Z8] Steady On	15%			
P3	[Z1,Z8] Steady On	5%			
P4	[Z5,Z4] Steady On	30%			
P5	[Z5,Z4] Steady On	15%			
P6	[Z5,Z4] Steady On	5%			
P7	[Z2,Z7] Steady On	30%			
P8	[Z2,Z7] Steady On	15%			
P9	[Z2,Z7] Steady On	5%			
P10	[Z6,Z3] Steady On	30%			
P11	[Z6,Z3] Steady On	15%			
P12	[Z6,Z3] Steady On	5%			
P13	[Z1,Z2,Z7,Z8] Steady On	30%			
P14	[Z1,Z2,Z7,Z8] Steady On	15%			
P15	[Z1,Z2,Z7,Z8] Steady On	5%			
P16	[Z5,Z6,Z3,Z4] Steady On	30%			
P17	[Z5,Z6,Z3,Z4] Steady On	15%			
P18	[Z5,Z6,Z3,Z4] Steady On	5%			
P19	[Z1,Z2,Z3,Z4] Steady On	30%			
P20	[Z1,Z2,Z3,Z4] Steady On	15%			
P21	[Z1,Z2,Z3,Z4] Steady On	5%			
P22	[Z5,Z6,Z7,Z8] Steady On	30%			
P23	[Z5,Z6,Z7,Z8] Steady On	15%			
P24	[Z5,Z6,Z7,Z8] Steady On	5%			
P25	[Z1,Z2,Z7,Z8] ↔ [Z3,Z4,Z5,Z6] Quad Flash	--	Phase 1	75	Alternating
P26	[Z1,Z2,Z7,Z8] ↔ [Z3,Z4,Z5,Z6] Quad Flash	--	Phase 2	75	Alternating

★ To review the Limited Warranty Statement & Return Policy for this Eight EVP product please visit our website at www.8evp.com and select the "Warranty & Returns" link on the contact page. If you have questions regarding this product please contact Technical Services, Monday - Friday, 7.30 am to 4 pm central at 615.868.1588. Questions or comments that do not require immediate attention may be emailed to sales@8evp.com

★ Warning devices are strictly regulated and governed by Federal, State and Municipal ordinances. These devices shall be used ONLY on approved vehicles. It is the sole responsibility of the user of these devices to ensure compliance.

 Date of issue: 16th Dec. 2019